



9 months  
to 6 years



9 to  
22 kg



∅  
21 to 28  
mm



∅  
21 to 28  
mm

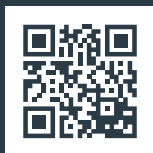


no°6  
included

# urban iki

イキ BY OGK

Scan for  
instruction video



Bike away  
in just a few  
minutes



## Front seat with Compact Adapter

Fietszitze voor met Compact Adapter  
スリム取付けタイプ自転車用フロントシート



www.tuv.com  
ID 1419043604

www.urbaniki.com

urban  
iki  
イキ BY OGK



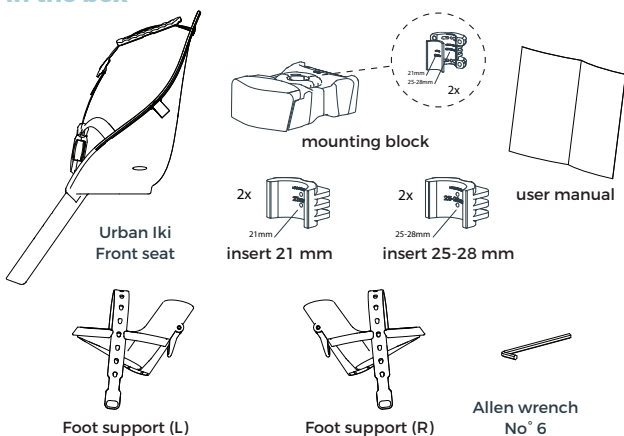
Hello

You have chosen the Urban Iki Front seat, the child bicycle seat for your child's first trips on the bike.

Urban Iki by OGK is developed by Dutch and Japanese designers. The best of both worlds come together in Urban Iki products. OGK has been making innovative products for the cycling consumer for 80 years, and is the bike seat expert of choice in Japan, where the bicycle is king. Technology and safety at the highest level. Dutch design is well known the whole world over. And your Urban Iki bike seat brings combines these factors.

In addition to the Urban Iki Front seat, a fitted windshield is also available as an accessory for greater protection from wind, weather and insects and against stones from the road. An extra mounting block for a second bike is available as a separate accessory too. Is your child now over 15 kg? Then the Urban Iki Front seat is no longer suitable for carrying your child on the bike. For children from 15 kg to 22 kg, there is the Urban Iki Rear seat for carrying kids on the back of your bike. Go to [www.urbaniki.com](http://www.urbaniki.com) for the full range and all accessories.

## In the box



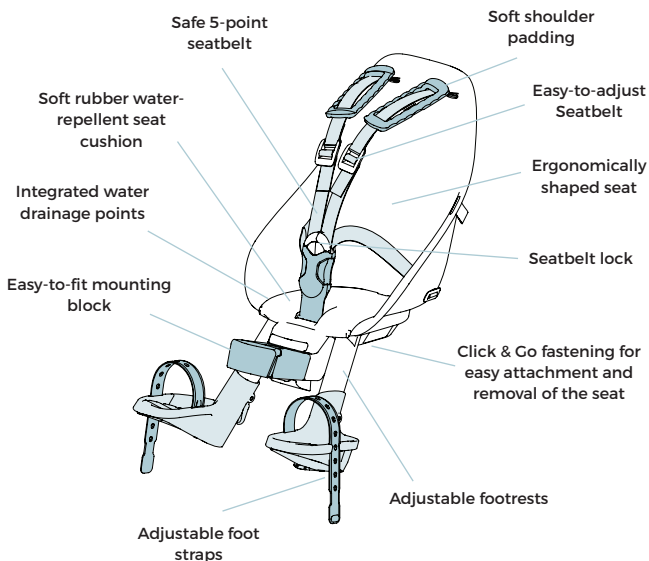
## User manual

The Urban Iki Front seat is easy to put together and attach to your bike. This user manual explains how to do this yourself quickly and easily. So you can get on the road straight away and enjoy cycling with your child. Read the user manual carefully before using the Urban Iki Front seat, and follow closely the instructions for safe use. That's the best way to ensure a great deal of biking fun.



Keep plastic packaging materials out of reach of babies and children due to the risk of suffocation. Throw the packaging away immediately.

## What makes the Urban Iki Front seat unique



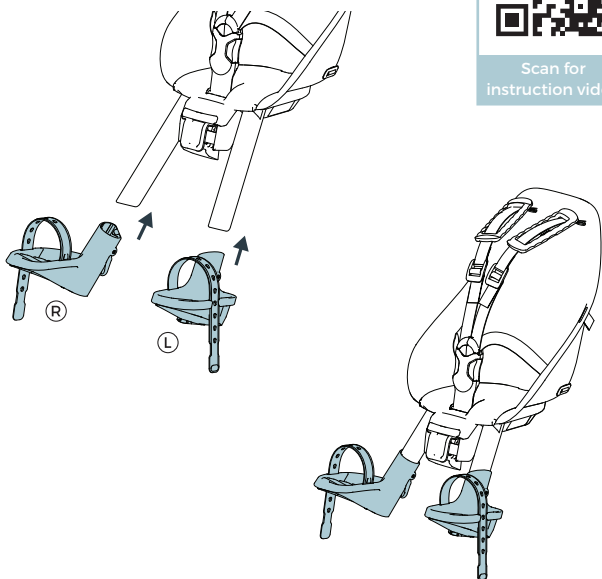
## How to assemble the Urban Iki Front seat

Your Urban Iki Front seat is easy to put together. All you have to do is slide the foot supports onto the left and right mounting tubes.

### Mounting left and right foot supports



Scan for  
instruction video



## How to mount the Urban Iki Front seat to the bike



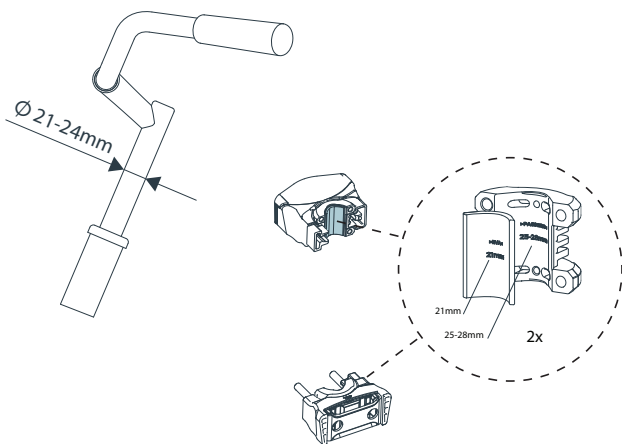
Scan for  
instruction video

The Urban Iki Front seat is suitable for carrying children with a maximum weight of 15 kg in the age range of 9 months to about 3 years. Check whether you are legally permitted to use the Urban Iki Front seat in the country in which you intend to use it. The bike seat is mounted to the front of a bike on handlebar stems with a diameters ranging between 21-28 mm. Only use the Urban Iki Front seat on bikes built for a heavier load. Where necessary, consult the bicycle manual or enquire from the manufacturer. If your bike is technically up to the job, then mount your Urban Iki bike seat as follows.

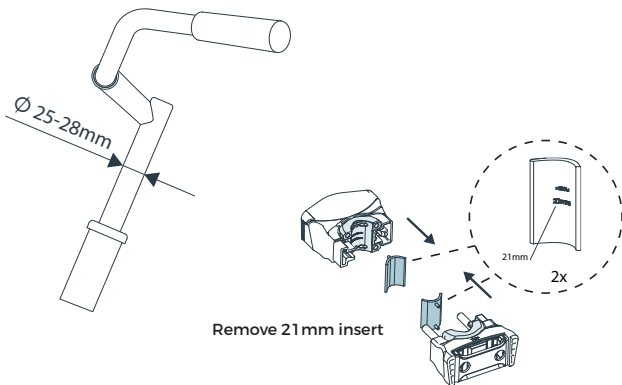
### Step 1: Unscrew



21-24 mm | standard

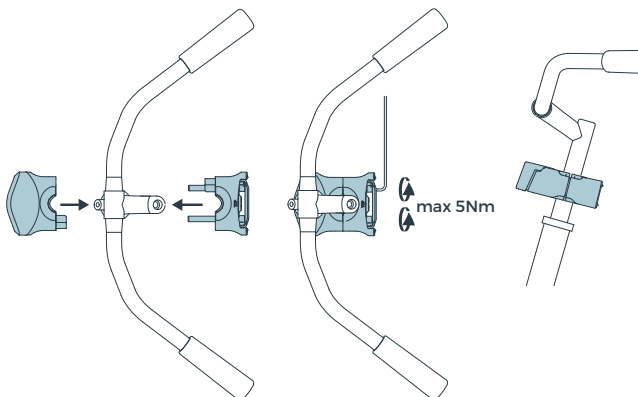


25-28 mm | standard

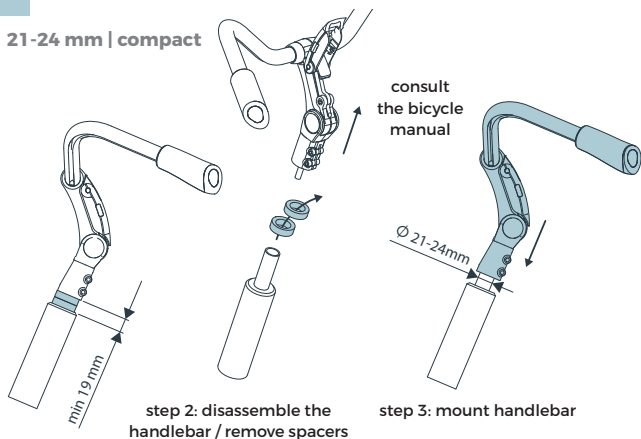


Step 2: Fit block to handlebars

Step 3: Screw tight to max 5Nm

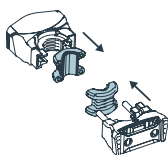


21-24 mm | compact

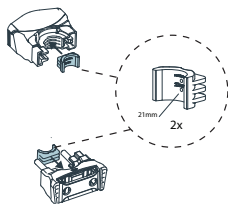


step 2: disassemble the handlebar / remove spacers

step 3: mount handlebar

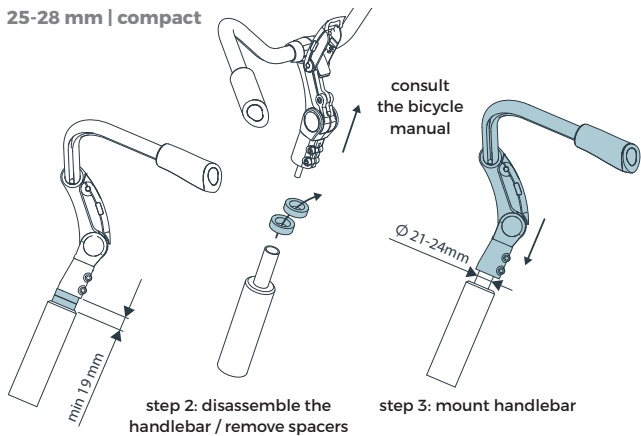


step 4: remove insert



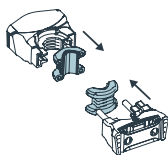
step 5: mount 21 mm insert

25-28 mm | compact

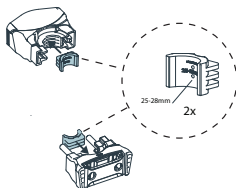


step 2: disassemble the handlebar / remove spacers

step 3: mount handlebar

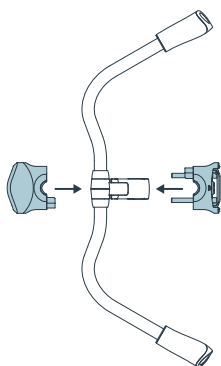


step 4: remove insert

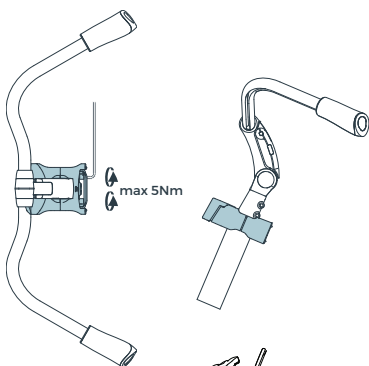


step 5: mount 25-28 mm insert

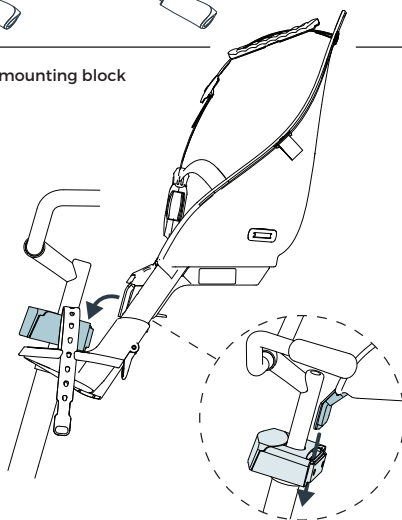
Step 6: Fit block to handlebars



Step 7: Screw tight to max 5Nm



Fasten bike seat to the mounting block



Always check whether the handlebars can still be turned properly both left and right after fitting the bike seat. If the angle of rotation is less than 45° left or right, then we recommend fitting different handlebars.

The bike seat is also easy to remove when not in use.



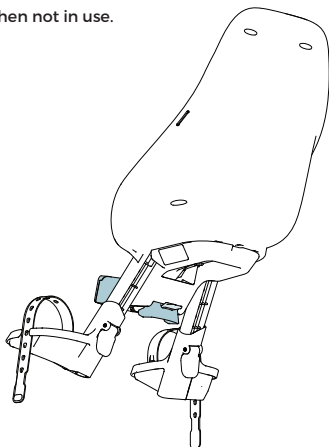
Step 1: Press button



Step 2: Turn handle to the rear



Step 3: Remove seat from mounting block



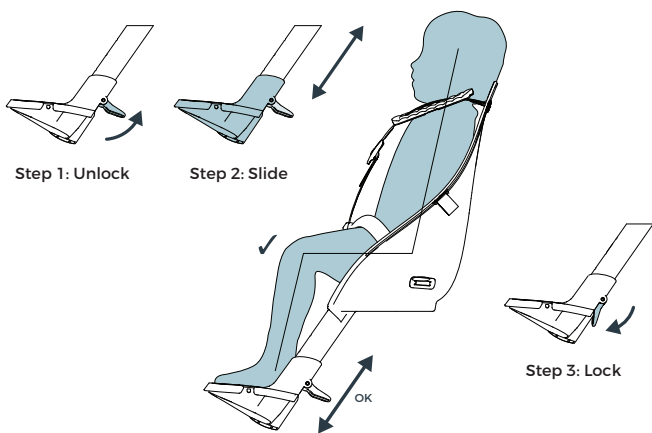
## How to use the Urban Iki Front seat

When you use the Urban Iki Front seat, always check whether the seat is properly fitted and take a brief test ride without your child. If everything is working properly and you are not restricted when cycling, then you are now ready to set off with your child. Place your child in the seat and fasten the safety belt firmly, but not too tightly. Adjust the foot supports to the required height and ensure the feet stay in place by fastening the foot straps. Always check whether there are any sharp bike parts within reach of your child and that the clothing your child is wearing cannot come into contact with rotating or moving parts of your bike.

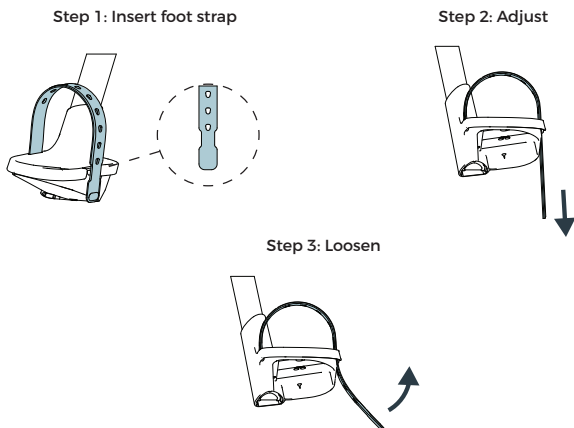


Scan for  
instruction video

### Adjust foot supports

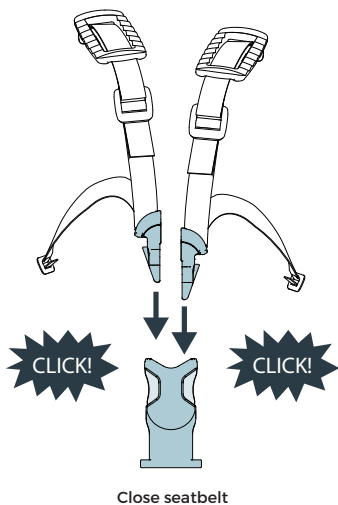


### Adjusting foot straps

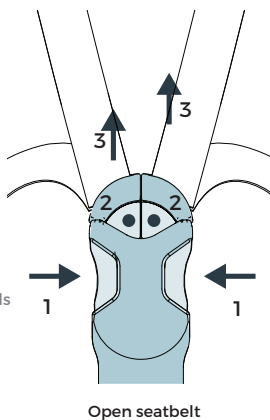




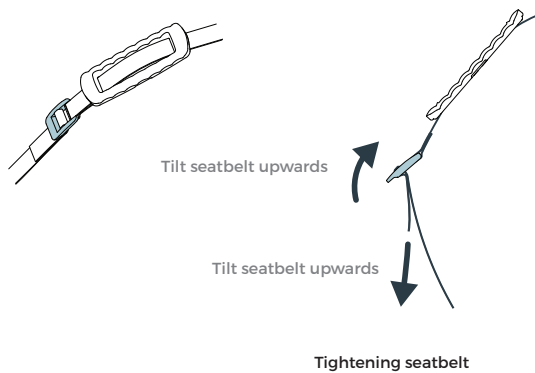
## Opening and closing the seatbelt



1. Press
2. Press
3. Pull upwards



## Adjusting seatbelt strap



## Safe use; a few warnings:

- Only take your child of 9 months or older, with a weight of 9 kg or more, if he or she can sit upright unaided for the duration of the planned bike ride. Regularly check to ensure your growing child is not too tall or heavy (maximum 22 kg) for the seat you are using.
- Always cloth your child warmly enough and with protection from wind and rain. Your child does not move and thus cools off quickly.
- Never leave your child sitting alone in the bike seat without holding the bike firmly. Ensure your bike is fitted with a stable (two-legged) stand.
- Check that the bike seat is not too hot in the sun during nice weather before putting your child in the seat.
- In the event of any defects, never change anything on your bike seat yourself, but contact either the store where you bought your seat or Urban Iki customer service. Do not use the bike seat if a component is defective.
- Taking your bike with the car on the bicycle carrier; always remove the bike seat. Turbulence can damage the seat or its mounting. This makes the seat unsafe to use.
- Lock the seatbelts on the bike seat even when your child is not sitting in it; this prevents the straps from getting snagged or entangled.
- Only use the bike seat for transporting your child on the bike. Bags or other baggage is best carried on the bike in the opposite place to your child. This helps to spread the weight on the bike.
- Do not lift your bicycle using the bike seat.
- Urban Iki recommends using a well-fitting helmet for your child.
- Your Urban Iki children's bike seat is intended for taking your child on the bike in the daily setting. This bike seat is not suitable for cycling off-road and ATB courses.
- Cycling with a child in a bike seat can influence the characteristics of your bike when cycling, especially when steering in bends, or braking or setting off.
- You must be 16 years or older to carry a child in the Urban Iki bike seat. Legislation may differ per country.

## Maintenance, warranty and service

Maintain your Urban Iki bike seat properly, as it will then give you many years of pleasure. It is sufficient to clean it occasionally with a cloth, lukewarm water and a mild cleaning agent.

Urban Iki products are developed and manufactured on the basis of the highest quality standards. The Urban Iki Front seat is tested to the most stringent applicable European norm, EN 14344. A certificate from the leading TUV institute has been awarded as proof of compliance to this standard.

We give a two-year warranty on your Urban Iki Front seat. This warranty period starts on the date that you bought the seat as stated on the purchase receipt. Always save this receipt if you ever need to make a claim on this warranty.

The warranty does not apply in the following cases:

- When using the product in a way other than prescribed in the user manual.
- A claim is made against the product warranty without the original receipt outside the applicable warranty term.
- Repairs to the Urban Iki child seat are carried out by third parties.
- The defect is the result of improper, careless use or maintenance, by neglect or accident.
- Normal wear and tear of parts that may be expected with daily use of the product.

The warranty issued complies with European Directive 99/44/EG dated 25 May 1999.

In the event of a complaint or defect related to your Urban Iki child seat, contact the store where you bought your Urban Iki child seat or our customer service.

Urban Iki customer service  
OGK Europe B.V.  
Energistraat 13  
7442 DA Nijverdal  
The Netherlands

[www.urbaniki.com](http://www.urbaniki.com)  
E: [info@urbaniki.com](mailto:info@urbaniki.com)





**For you to discover**

**Osaka - Amsterdam**